

Art. **96045**

Modelli / Model:

**Daf XF 105, 02/04>12/14**



Made in Europe

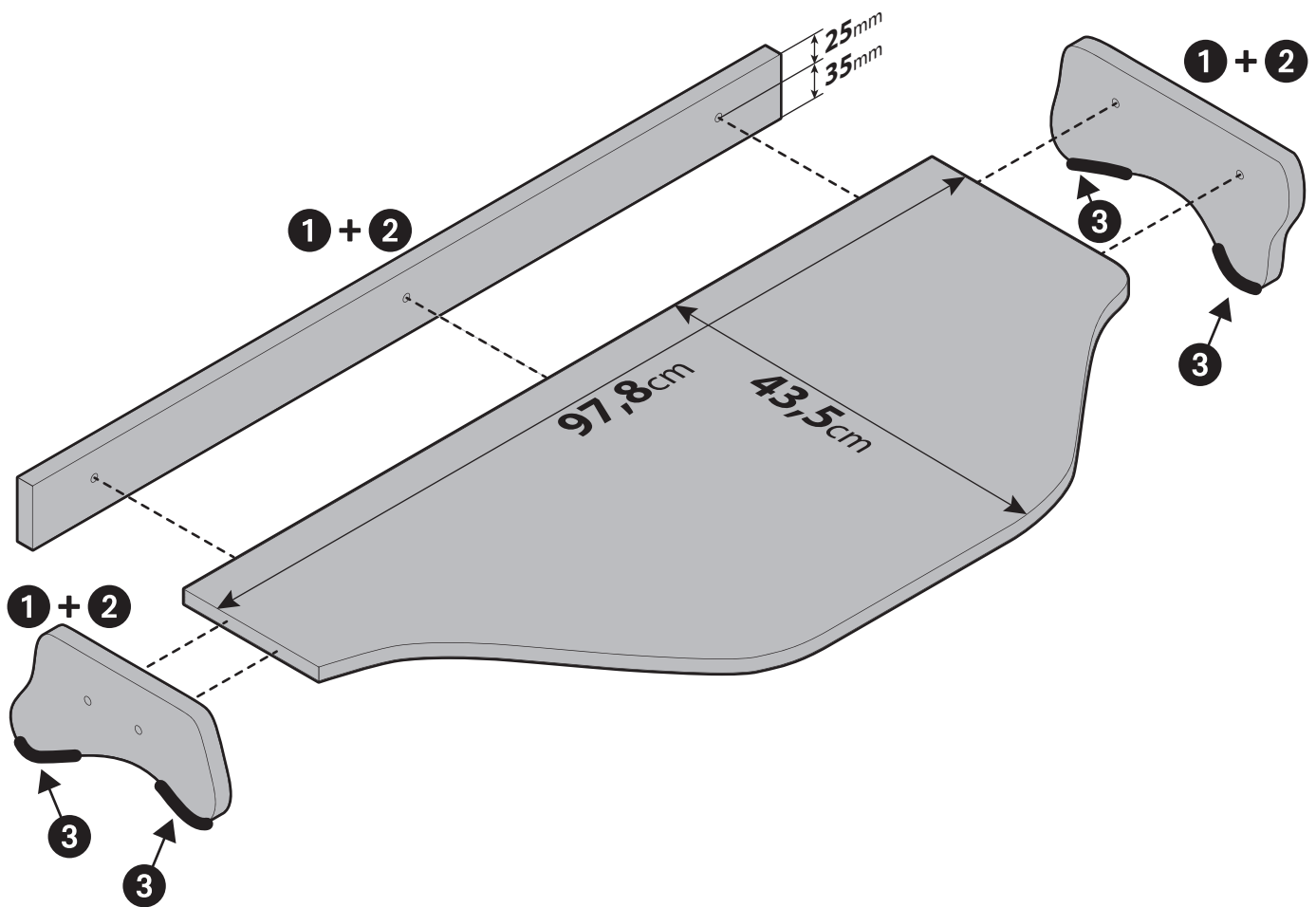
**LAMPA S.p.A.**

Via G. Rossa 53/55, 46019 Viadana (MN) ITALY

Tel. +39 0375 820700

UNI EN ISO 9001:2015 Certified Company

**www.lampa.it**



Contenuto / Mounting kit contains:

- |          |   |    |                                  |
|----------|---|----|----------------------------------|
| <b>1</b> |  | x7 | ∅ 8mm - Viti / Screws            |
| <b>2</b> |  | x7 | Coperchi per viti / Screw covers |
| <b>3</b> |  | x4 | Velcro / Velcro strips           |
|          |  | x1 | Brugola / Allen key              |

